


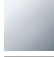



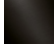
34 459 360



- shower with fixed riser projection 420mm
- rain shower Ø 200 mm
- rain shower with anti-scale system
- max. rainshower flow 14 l/min
- rotary diverter for fixed-riser shower/hand shower
- height of fittings up to rain shower (bottom edge) 985mm
- height of fittings up to top edge of elbow 1160mm
- two-part push-on rosette Ø 65 mm
- rosette for shower holder Ø 65mm
- rosette for wall mounting Ø 60mm
- gauge 150 mm - 13 mm
- metal shower hose 1250mm with integrated anti-twist protection
- 1/2" connection
- Pipe diameter 20 mm
- This product can help a building meet the requirements of Green Building Rating Systems, e.g. LEED®, BREEAM®, DGNB

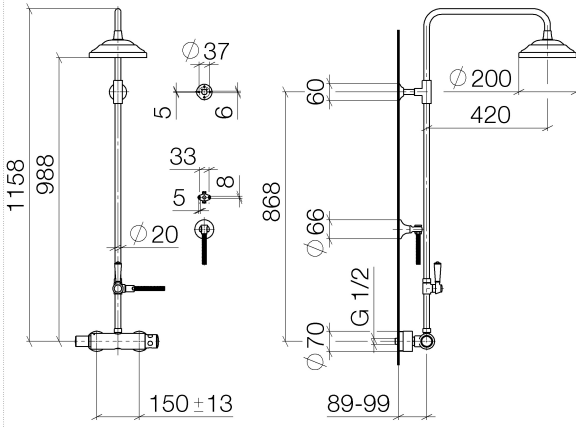
This article does not include a hand shower!

Intrinsic protection against back flow.

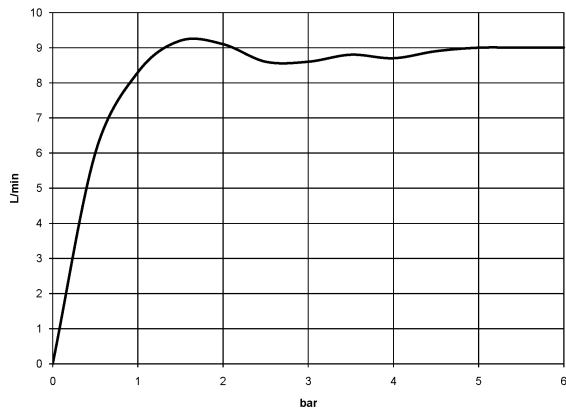
	Platinum	34 459 360-08 0050
	Chrome	34 459 360-00 0050
	Brushed Platinum	34 459 360-06 0050
	Durabrand (23kt Gold)	34 459 360-09 0050
	Brushed Durabrand (23kt Gold)	34 459 360-28 0050
	Brushed Dark Platinum	34 459 360-99 0050

34 459 360

1:10

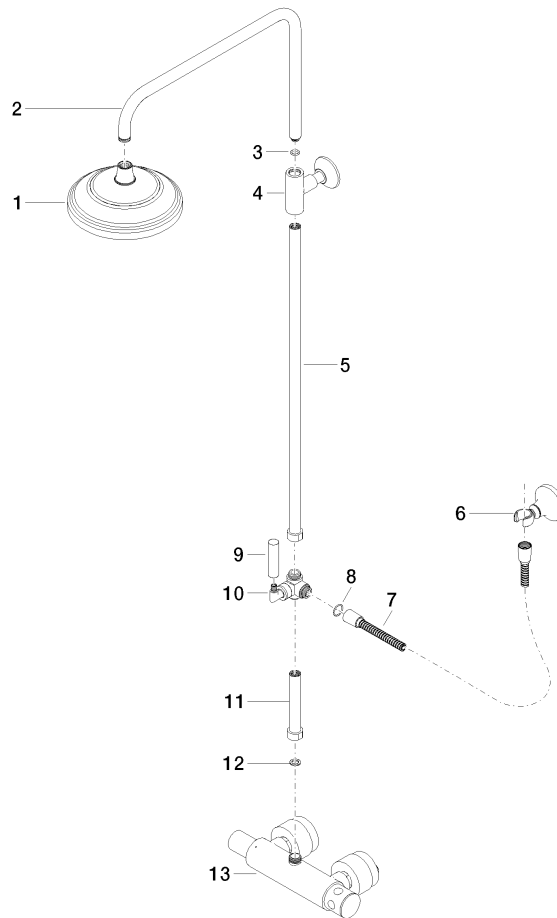


Flow rate chart



34 459 360

Parts for other finishes can be found here: [Chrome](#)



34 459 360

Spare parts list

No.	Item Number	Name	Quantity used	Delivery time
1	90 12 05 038 20-08	shower	1	40
2	04 28 22 101 20-08	spout	1	40
3	90 14 10 011 00 90	seal	1	2
4	90 17 11 037 01-08	holder	1	-
Spare part can no longer be ordered, please order the replacement item				
5	90 28 22 104 00-08	pipe	1	-
Spare part can no longer be ordered, please order the replacement item				
6	90 17 09 045 01-08	diverter	1	40
7	09 30 30 064-08	screw	1	40
8	09 18 20 011-08	base	1	40
9	09 28 22 013 90	pipe	1	2
10	11 170 370-08	MADISON Lever insert - Platinum	1	40
11	09 30 30 062-08	screw	1	40
12	09 14 10 122 90	seal	1	2
13	28 104 970-08	Metal shower hose 1/2" x 1/2" x 1250 mm - Platinum	1	40
14	28 050 410-08	holder	1	60
15	90 28 22 103 00-08	pipe	1	-
Spare part can no longer be ordered, please order the replacement item				
16	90 14 20 002 00 90	seal	1	2
17	04 17 01 044 01-08	fitting	1	40